



Powered by **androidtv**

Now H1 Smart Box Quick Start Guide



Learn more about your H1



First Time Activation Code:

Enter the first 4 digits of your Hong Kong ID / Passport Number

- Please key in your activation code on the screen to start your Now TV service.

User PIN: "0000" is the default PIN number

Change user PIN: Select HOME > Settings > Change PIN

- The PIN can be used to subscribe to Now TV pay TV channels and certain other services as well as to activate the Parental Lock on selected channels and program categories. You are advised to change your PIN now and change it regularly for added security. Please do not disclose your PIN to prevent any unauthorized use.

Wi-Fi Connection

Configure network settings: Settings > Android TV Box Settings > Network & Internet

- Please select a Wi-Fi network and key in your password to set up the internet connection. Connecting to Wi-Fi and broadband cable simultaneously allows you to access Google services, Android TV apps and more.

Google Account Sign-in

Sign in/add a Google account: Settings > Android TV Box Settings > Accounts & Sign In.

- Please sign in to your Google account to enjoy the full-features and personalized experience, whether you are downloading apps from the Google Play Store, searching for and getting recommendations from Now TV, or controlling your smart home devices* via Google Assistant.

*Requires compatible device.

Service Enquiries:

- ☎ : 1833 888
- ✉ : cs@nowtv.now.com
- 🌐 : www.facebook.com/pccwcs



Trouble Shooting
<https://www.nowtv.now.com/support/rebooting-error-codes-h1/>

Remote Control



Personalized Home Screen & Multiple User Profiles

Create profiles to keep track of your own watchlist, history, favourite channels and more. One Now TV account serves for up to five users.

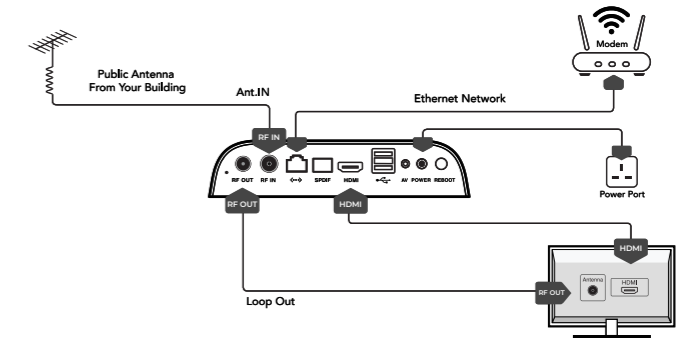
Google Assistant

Call out the Google Assistant for voice search and task management.



TV Interface User Guide
<https://www.nowtv.now.com/support/h1/>

Connection Diagram



License Information and notice



Manufactured under license from Dolby Laboratories, Dolby, Dolby Audio, Pro Logic, and the double-D symbol are trademarks of Dolby Laboratories.



The terms HDMI and HDMI High-Definition Multimedia Interface, and the HDMI Logo are trademarks or registered trademarks of HDMI Licensing Administrator, Inc. in the United States and other countries.

Note: Subscription to Now TV service is subject to the Terms and Conditions of Now TV. Now TV service is provided by Now TV Limited and/or its affiliates in accordance with the Terms and Conditions of Now TV. For further details on the Terms and Conditions of Now TV, please refer to Now TV website (www.nowtv.now.com/terms-and-conditions) or access through TV select "Settings" and choose "Terms and Conditions". All content is subject to change without prior notice.

For FAQ details and the most updated user guide, please refer to our website: www.nowtv.now.com.